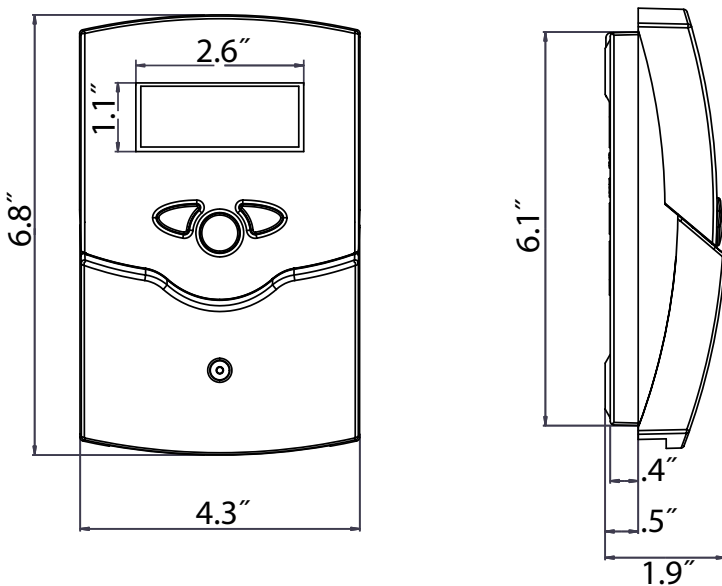


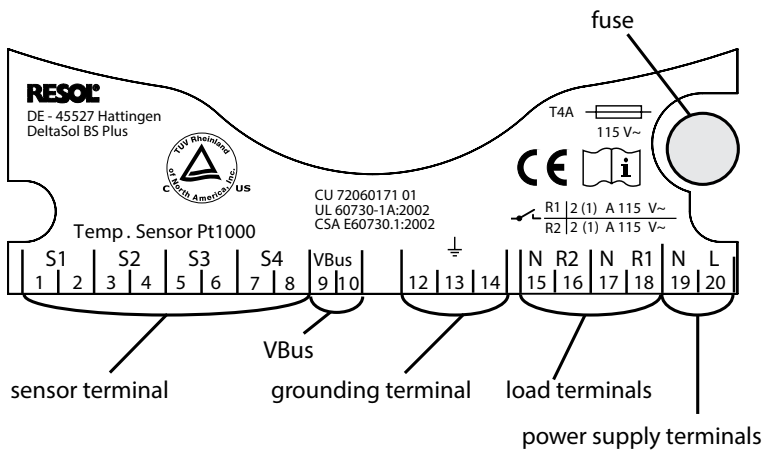
Item No. 230142 - Differential Temperature Controller

- » 4 sensor inputs
- » 2 relay outputs
- » 10 selectable variants
- » Illuminated system monitoring display
- » Energy metering
- » 2 year warranty

Dimensions



Connections



Engineering Description

Housing: Plastic, PC-ABS and PMMA

Protection type: IP 20 / IEC 60529

Ambient temperature: 32-104°F

Dimensions: 6.7" x 4.3" x 1.9"

Installation: Wall mounting, tank mounting

Display: System-monitoring for visualization of systems, 16-segment and 7-segment display, 8 symbols for indication of system status and operating control lamp

Operation: 3 push-buttons on front

Functions: Differential temperature controller with adjustable system functions: operating hours counter for pump, tube collector function, thermostat function, pump speed control, system cooling function, time-controlled thermostat function, drainback option and heat dump function

Sensor inputs: 4 Pt1000 temperature sensors

Relay outputs: 2 semiconductor relay

Switching Capacity: R1&R2: 1 Amp each @100-240V

Standby power consumption: < 1 W